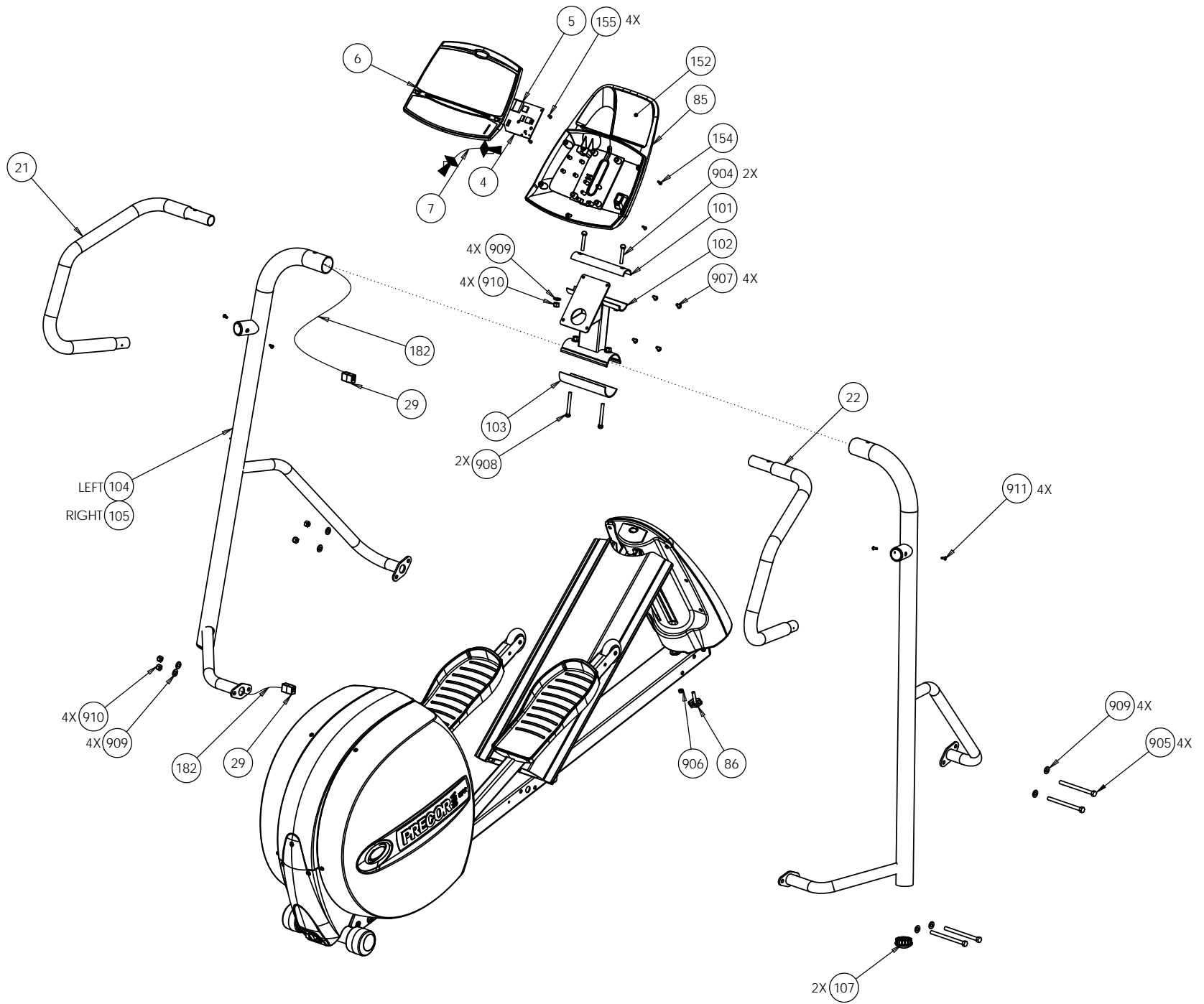
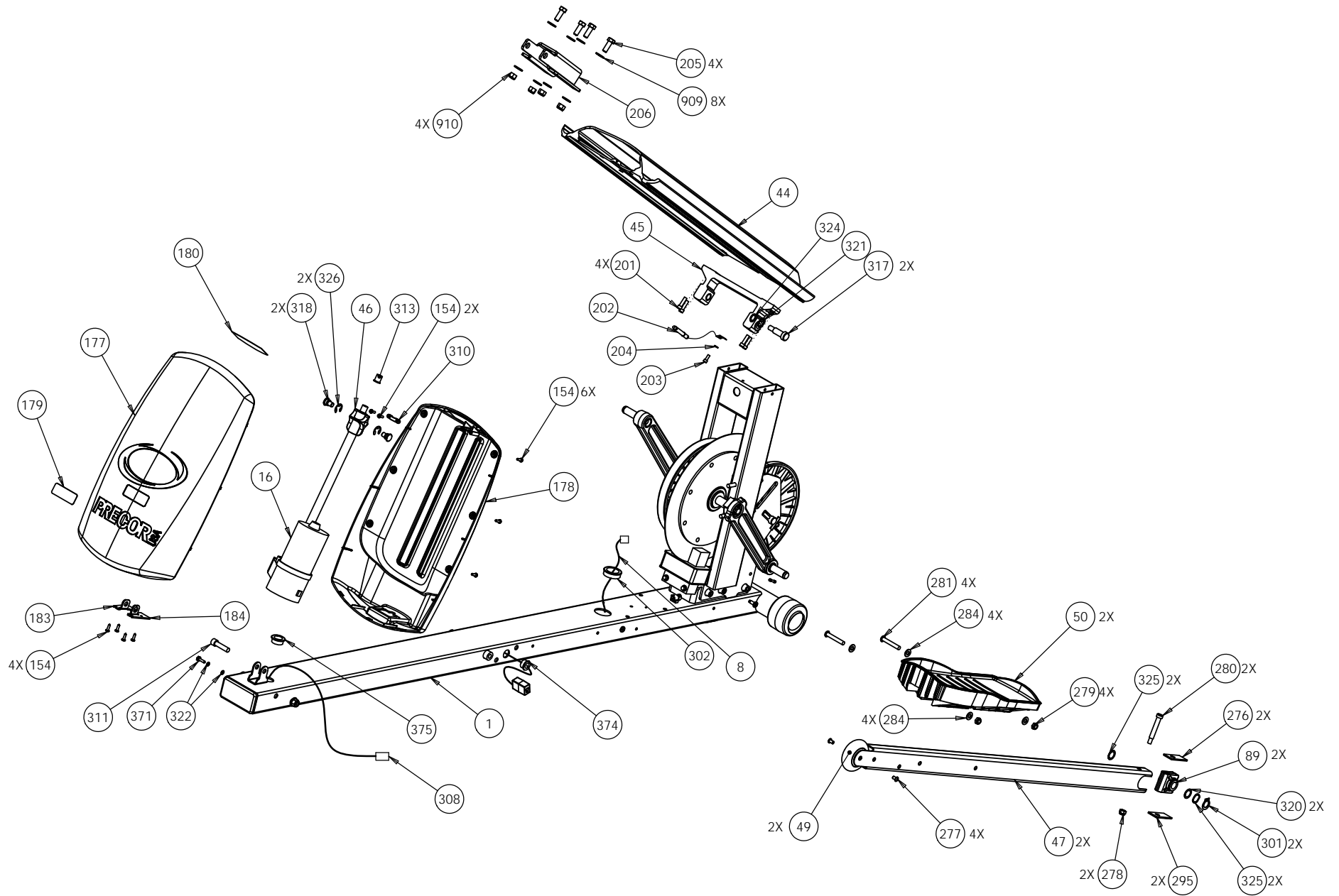


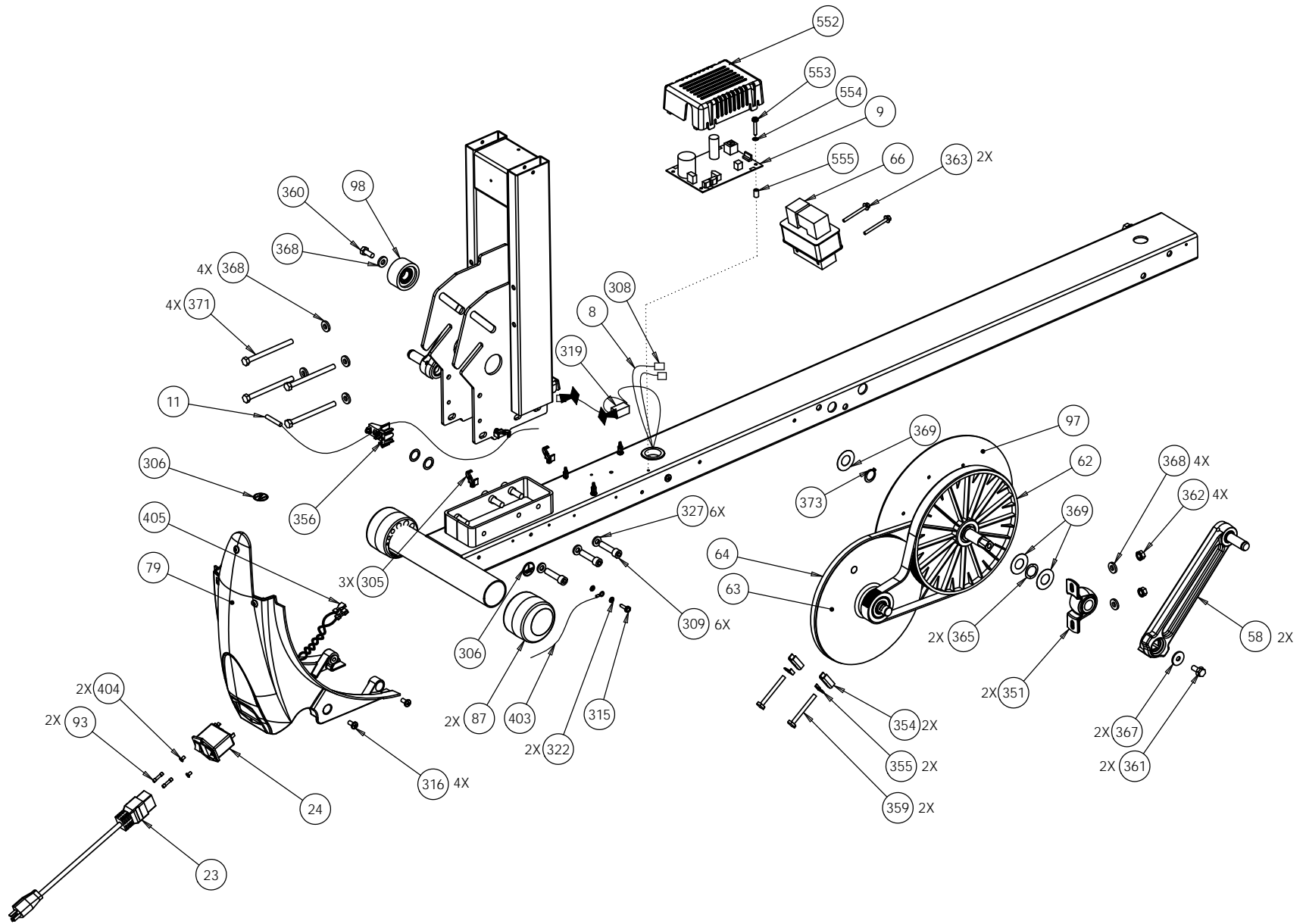
5.17i	P/N : 48221-101	SUBREV : M03
DRAWN BY : C THOMSON	DATE : 30 APR 2010	SHEET 1 OF 6



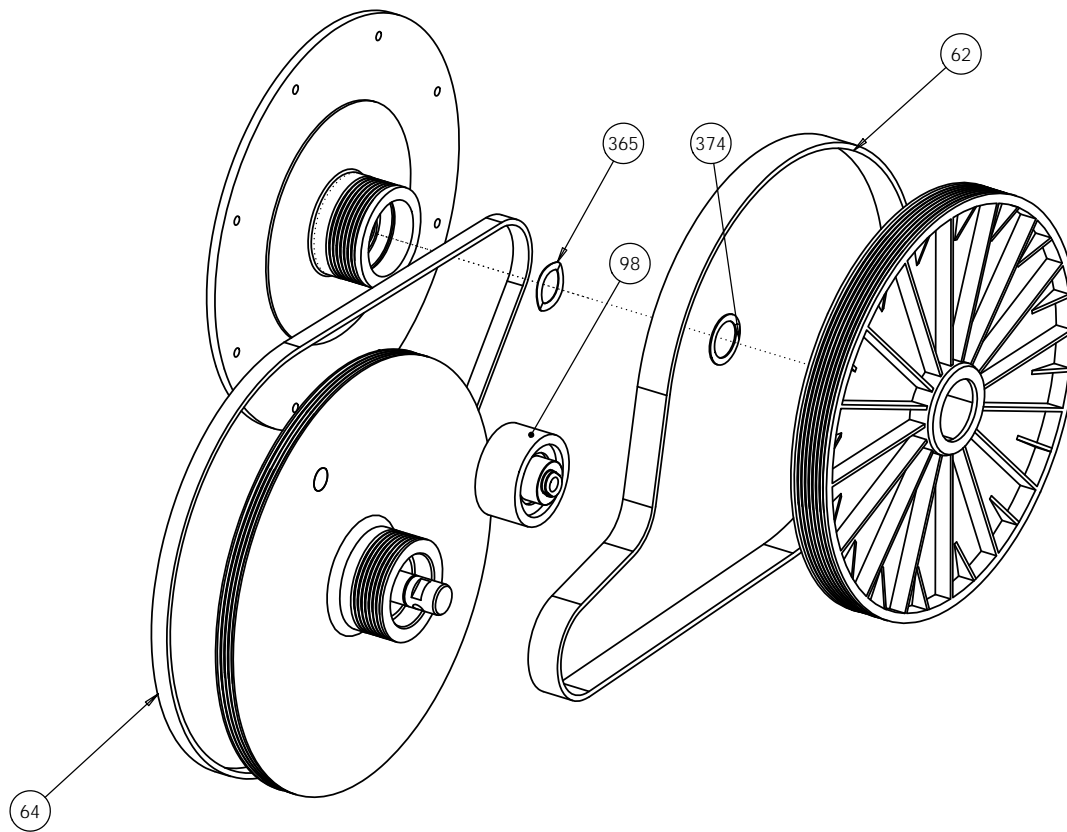
5.17i	P/N : 48221-101	SUBREV : M03
DRAWN BY : C THOMSON	DATE : 30 APR 2010	SHEET 2 OF 6



5.17i	P/N : 48221-101	SUBREV : M03
DRAWN BY : C THOMSON	DATE : 30 APR 2010	SHEET 3 OF 6

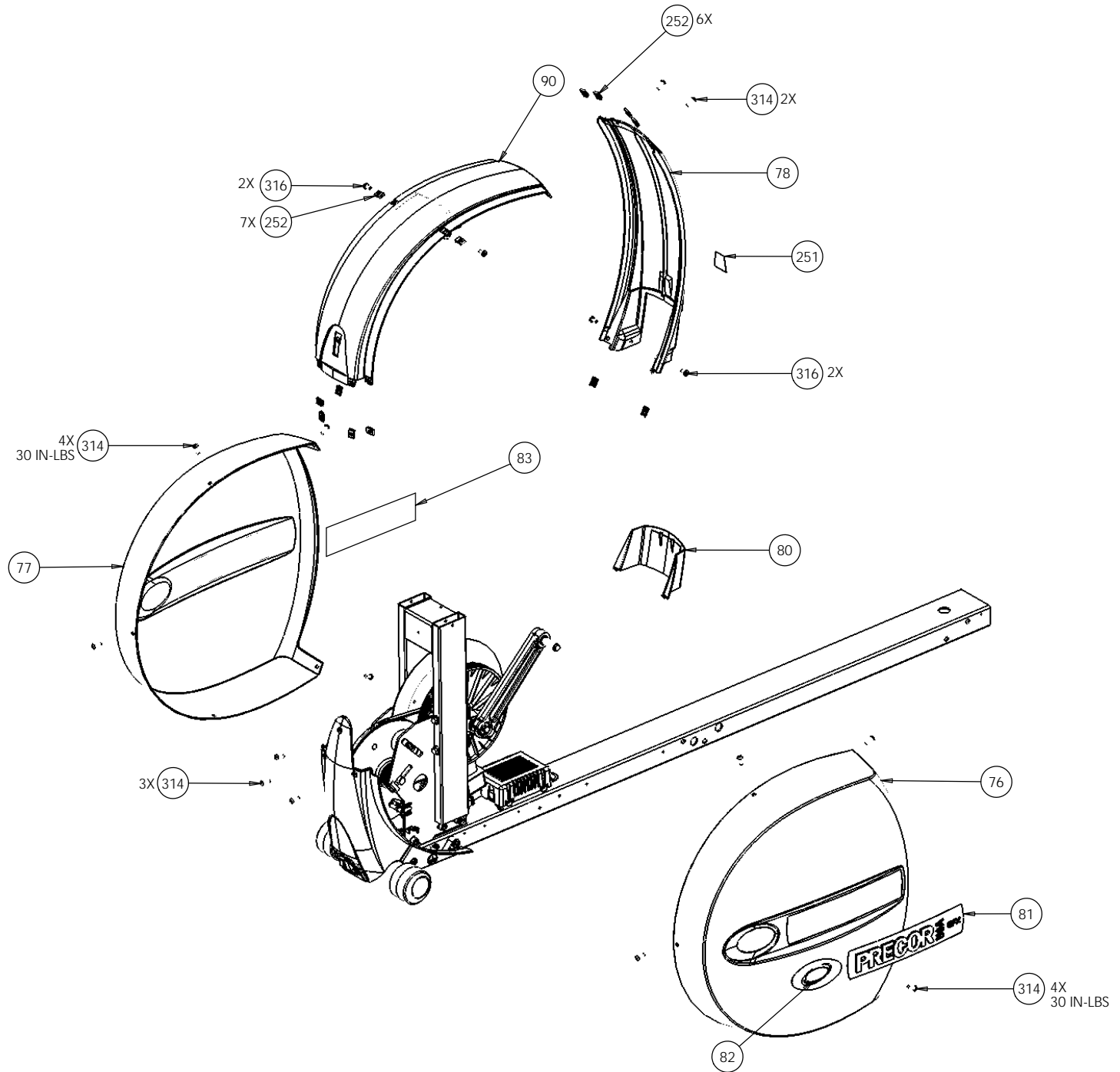


5.17i	P/N : 48221-101	SUBREV : M03
DRAWN BY : C THOMSON	DATE : 30 APR 2010	SHEET 4 OF 6



BELT ROUTING DETAIL

5.17i	P/N : 48221-101	SUBREV : M03
DRAWN BY : C THOMSON	DATE : 30 APR 2010	SHEET 5 OF 6



5.17i	P/N : 48221-101	SUBREV : M03
DRAWN BY : C THOMSON	DATE : 30 APR 2010	SHEET 6 OF 6